

**LEVER**

AISI 303 stainless steel, sand-blasted matte finish.

**HANDLE**

Type PLX. (see page 386) Phenolic based (PF) Duroplast, black colour, glossy finish.

**WASHER**

AISI 630 hardened stainless steel.

**ECCENTRIC CAM**

Nickel-plated AISI 303 stainless steel.

**REFERENCE BUSHING** (EXECUTIONS GN 918.5-KVS, GN 918.5-GVS, GN 918.5-SKS)  
Hardened stainless steel.

**THREADED BUSHING** (EXECUTIONS GN 918.5-KVB, GN 918.5-GVB, GN 918.5-SKB)  
Hardened stainless steel.

**STANDARD EXECUTIONS**

AISI 630 hardened stainless steel threaded pin:

- **GN 918.5-KV**: with angled lever
- **GN 918.5-GV**: with straight lever.
- **GN 918.5-SK**: with hexagon.

AISI 304 stainless steel cylindrical head screw on the operator side:

- **GN 918.5-KVS**: with angled lever
- **GN 918.5-GVS**: with straight lever.
- **GN 918.5-SKS**: with hexagon.

AISI 304 stainless steel cylindrical head screw on the rear side:

- **GN 918.5-KVB**: with angled lever
- **GN 918.5-GVB**: with straight lever.
- **GN 918.5-SKB**: with hexagon.

Suffix for the direction of the locking action:

- **L**: anticlockwise locking action.
- **R**: clockwise locking action (version shown in the drawings).

**FEATURES AND APPLICATIONS**

GN 918.5 cam locking levers allow the achievement of strong locking values with safe and fast lock-unlock movements.

The system is self-locking at any angular positioning.

The lever is connected to the cam by means of a toothed element providing precise positioning while releasing the screw.

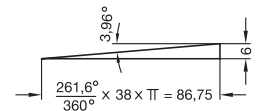
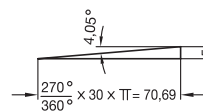
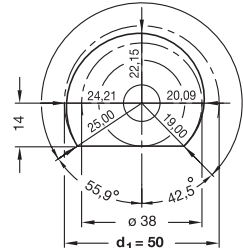
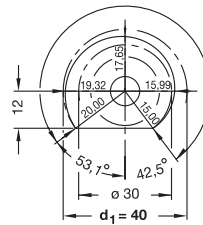
The washer eliminates the need for expensive items with female threadings and therefore the screw can be used directly on T-nuts for connection plates.

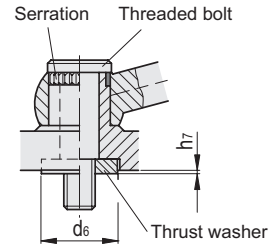


**GN 918.5 L/R**

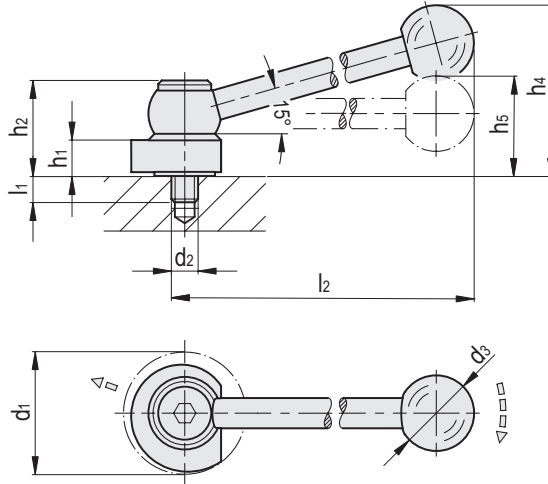
Movement 270°

Movement 261,6°

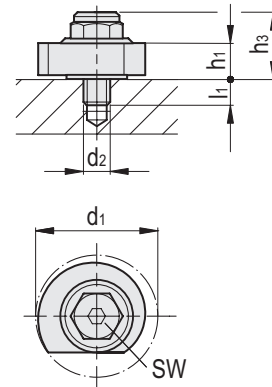




GN 918.5-KV  
GN 918.5-GV



GN 918.5-SK



Conversion Table	
1 mm = 0.039 inch	
d3 - d1	
mm	inch
25	0.98
30	1.17
40	1.56
50	1.95

GN 918.5-KV

INOX STAINLESS STEEL METRIC

Code	Description	d3	d1-0.5	d2	d6	l1	l2	h1	h2	h4	h5	h7	⚖
GN.31825	GN 918.5-40-KV-L	25	40	M8	20	8	100	10	31	55	31	0.2	179
GN.31826	GN 918.5-40-KV-R	25	40	M8	20	8	100	10	31	55	31	0.2	179
GN.31830	GN 918.5-50-KV-L	30	50	M10	24	11	116	12	35	62	36	0.2	310
GN.31831	GN 918.5-50-KV-R	30	50	M10	24	11	116	12	35	62	36	0.2	310

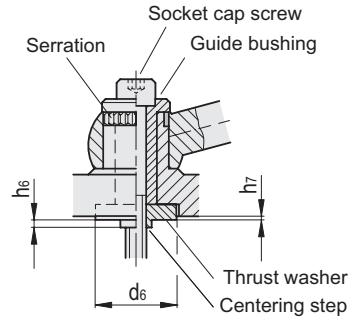
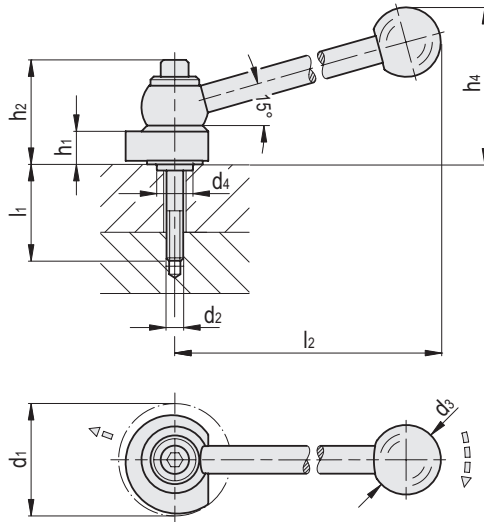
GN 918.5-GV

Code	Description	d3	d1-0.5	d2	d6	l1	l2	h1	h2	h5	h7	⚖
GN.83201	GN 918.5-40-GV-L	25	40	M8	20	8	100	10	31	31	0.2	177
GN.83221	GN 918.5-40-GV-R	25	40	M8	20	8	100	10	31	31	0.2	177
GN.83431	GN 918.5-50-GV-L	30	50	M10	24	11	116	12	35	36	0.2	312
GN.83451	GN 918.5-50-GV-R	30	50	M10	24	11	116	12	35	36	0.2	312

GN 918.5-SK

Code	Description	d1-0.5	d2	d6	l1	h1	h3	h7	sw	⚖
GN.83351	GN 918.5-40-SK-L	40	M8	20	8	10	21.5	0.2	15	90
GN.83371	GN 918.5-40-SK-R	40	M8	20	8	10	21.5	0.2	15	90
GN.83561	GN 918.5-50-SK-L	50	M10	24	11	12	24.5	0.2	19	154
GN.83581	GN 918.5-50-SK-R	50	M10	24	11	12	24.5	0.2	19	154

- 1
- 2
- 3
- 4
- 5
- 6
- 7
- 8
- 9
- 10
- 11
- 12
- 13
- 14
- 15
- 16
- 17
- 18
- 19



**Conversion Table**  
1 mm = 0,039 inch

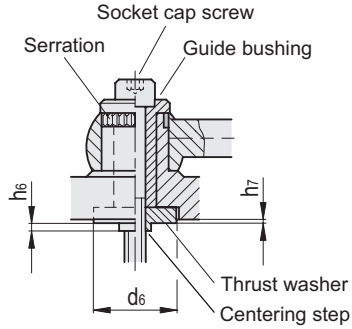
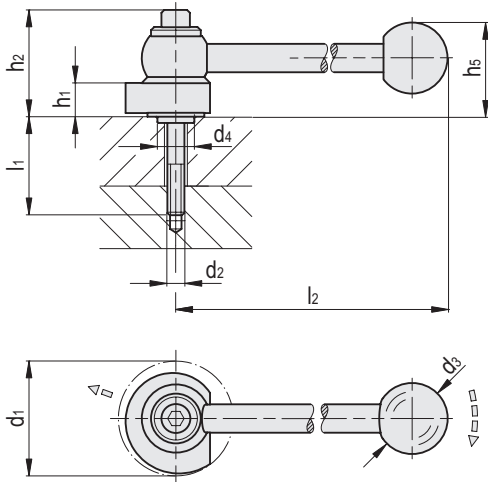
d3 - d1	
mm	inch
25	0.98
30	1.17
40	1.56
50	1.95

**GN 918.5-KVS**

**INOX** STAINLESS STEEL **METRIC**

Code	Description	d3	d1 -0.5	d2	d4 h9	d6	l1	l2	h1	h2	h4	h5	h6 -0.1	h7	△
GN.83315	GN 918.5-40-KVS-L-10	25	40	M6	9	20	10*	100	10	36	55	31	2.5	0.2	156
GN.83316	GN 918.5-40-KVS-L-15	25	40	M6	9	20	15	100	10	36	55	31	2.5	0.2	157
GN.83317	GN 918.5-40-KVS-L-20	25	40	M6	9	20	20	100	10	36	55	31	2.5	0.2	158
GN.83318	GN 918.5-40-KVS-L-25	25	40	M6	9	20	25	100	10	36	55	31	2.5	0.2	159
GN.83319	GN 918.5-40-KVS-L-30	25	40	M6	9	20	30	100	10	36	55	31	2.5	0.2	160
GN.83320	GN 918.5-40-KVS-L-40	25	40	M6	9	20	40	100	10	36	55	31	2.5	0.2	161
GN.83321	GN 918.5-40-KVS-L-45	25	40	M6	9	20	45*	100	10	36	55	31	2.5	0.2	162
GN.83322	GN 918.5-40-KVS-L-50	25	40	M6	9	20	50	100	10	36	55	31	2.5	0.2	162
GN.83323	GN 918.5-40-KVS-L-60	25	40	M6	9	20	60	100	10	36	55	31	2.5	0.2	164
GN.83324	GN 918.5-40-KVS-L-65	25	40	M6	9	20	65	100	10	36	55	31	2.5	0.2	166
GN.83325	GN 918.5-40-KVS-L-70	25	40	M6	9	20	70	100	10	36	55	31	2.5	0.2	168
GN.83326	GN 918.5-40-KVS-L-80	25	40	M6	9	20	80	100	10	36	55	31	2.5	0.2	170
GN.83327	GN 918.5-40-KVS-L-90	25	40	M6	9	20	90	100	10	36	55	31	2.5	0.2	172
GN.83331	GN 918.5-40-KVS-R-10	25	40	M6	9	20	10*	100	10	36	55	31	2.5	0.2	156
GN.83332	GN 918.5-40-KVS-R-15	25	40	M6	9	20	15	100	10	36	55	31	2.5	0.2	156
GN.83333	GN 918.5-40-KVS-R-20	25	40	M6	9	20	20	100	10	36	55	31	2.5	0.2	158
GN.83334	GN 918.5-40-KVS-R-25	25	40	M6	9	20	25	100	10	36	55	31	2.5	0.2	158
GN.83335	GN 918.5-40-KVS-R-30	25	40	M6	9	20	30	100	10	36	55	31	2.5	0.2	160
GN.83336	GN 918.5-40-KVS-R-40	25	40	M6	9	20	40	100	10	36	55	31	2.5	0.2	161
GN.83337	GN 918.5-40-KVS-R-45	25	40	M6	9	20	45*	100	10	36	55	31	2.5	0.2	162
GN.83338	GN 918.5-40-KVS-R-50	25	40	M6	9	20	50	100	10	36	55	31	2.5	0.2	162
GN.83339	GN 918.5-40-KVS-R-60	25	40	M6	9	20	60	100	10	36	55	31	2.5	0.2	164
GN.83340	GN 918.5-40-KVS-R-65	25	40	M6	9	20	65	100	10	36	55	31	2.5	0.2	166
GN.83341	GN 918.5-40-KVS-R-70	25	40	M6	9	20	70	100	10	36	55	31	2.5	0.2	168
GN.83342	GN 918.5-40-KVS-R-80	25	40	M6	9	20	80	100	10	36	55	31	2.5	0.2	170
GN.83343	GN 918.5-40-KVS-R-90	25	40	M6	9	20	90	100	10	36	55	31	2.5	0.2	172
GN.83531	GN 918.5-50-KVS-L-12	30	50	M8	11	24	12	116	12	41	62	36	2.5	0.2	266
GN.83532	GN 918.5-50-KVS-L-22	30	50	M8	11	24	22	116	12	41	62	36	2.5	0.2	270
GN.83533	GN 918.5-50-KVS-L-32	30	50	M8	11	24	32	116	12	41	62	36	2.5	0.2	274
GN.83534	GN 918.5-50-KVS-L-42	30	50	M8	11	24	42	116	12	41	62	36	2.5	0.2	277
GN.83535	GN 918.5-50-KVS-L-52	30	50	M8	11	24	52	116	12	41	62	36	2.5	0.2	282
GN.83536	GN 918.5-50-KVS-L-62	30	50	M8	11	24	62	116	12	41	62	36	2.5	0.2	285
GN.83537	GN 918.5-50-KVS-L-72	30	50	M8	11	24	72	116	12	41	62	36	2.5	0.2	289
GN.83538	GN 918.5-50-KVS-L-82	30	50	M8	11	24	82	116	12	41	62	36	2.5	0.2	293
GN.83539	GN 918.5-50-KVS-L-92	30	50	M8	11	24	92	116	12	41	62	36	2.5	0.2	295
GN.83540	GN 918.5-50-KVS-L-102	30	50	M8	11	24	102	116	12	41	62	36	2.5	0.2	293
GN.83541	GN 918.5-50-KVS-L-112	30	50	M8	11	24	112	116	12	41	62	36	2.5	0.2	302
GN.83546	GN 918.5-50-KVS-R-12	30	50	M8	11	24	12	116	12	41	62	36	2.5	0.2	266
GN.83547	GN 918.5-50-KVS-R-22	30	50	M8	11	24	22	116	12	41	62	36	2.5	0.2	270
GN.83548	GN 918.5-50-KVS-R-32	30	50	M8	11	24	32	116	12	41	62	36	2.5	0.2	274
GN.83549	GN 918.5-50-KVS-R-42	30	50	M8	11	24	42	116	12	41	62	36	2.5	0.2	277
GN.83550	GN 918.5-50-KVS-R-52	30	50	M8	11	24	52	116	12	41	62	36	2.5	0.2	282
GN.83551	GN 918.5-50-KVS-R-62	30	50	M8	11	24	62	116	12	41	62	36	2.5	0.2	285
GN.83552	GN 918.5-50-KVS-R-72	30	50	M8	11	24	72	116	12	41	62	36	2.5	0.2	289
GN.83553	GN 918.5-50-KVS-R-82	30	50	M8	11	24	82	116	12	41	62	36	2.5	0.2	293
GN.83554	GN 918.5-50-KVS-R-92	30	50	M8	11	24	92	116	12	41	62	36	2.5	0.2	295
GN.83555	GN 918.5-50-KVS-R-102	30	50	M8	11	24	102	116	12	41	62	36	2.5	0.2	294
GN.83556	GN 918.5-50-KVS-R-112	30	50	M8	11	24	112	116	12	41	62	36	2.5	0.2	302

Standard machine parts



**Conversion Table**  
1 mm = 0.039 inch

d3 - d1	
mm	inch
25	0.98
30	1.17
40	1.56
50	1.95

GN 918.5-GVS

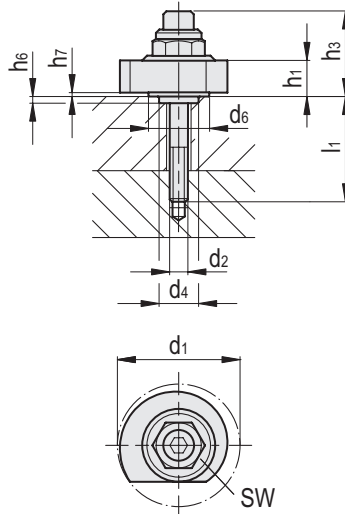
INOX STAINLESS STEEL METRIC

Code	Description	d3	d1 -0.5	d2	d4 h9	d6	l1	l2	h1	h2	h5	h6 -0.1	h7	⚖
GN.83241	GN 918.5-40-GVS-L-10	25	40	M6	9	20	10*	100	10	36	31	2.5	0.2	154
GN.83242	GN 918.5-40-GVS-L-15	25	40	M6	9	20	15	100	10	36	31	2.5	0.2	155
GN.83243	GN 918.5-40-GVS-L-20	25	40	M6	9	20	20	100	10	36	31	2.5	0.2	156
GN.83244	GN 918.5-40-GVS-L-25	25	40	M6	9	20	25	100	10	36	31	2.5	0.2	156
GN.83245	GN 918.5-40-GVS-L-30	25	40	M6	9	20	30	100	10	36	31	2.5	0.2	158
GN.83246	GN 918.5-40-GVS-L-40	25	40	M6	9	20	40	100	10	36	31	2.5	0.2	159
GN.83247	GN 918.5-40-GVS-L-45	25	40	M6	9	20	45*	100	10	36	31	2.5	0.2	160
GN.83248	GN 918.5-40-GVS-L-50	25	40	M6	9	20	50	100	10	36	31	2.5	0.2	160
GN.83249	GN 918.5-40-GVS-L-60	25	40	M6	9	20	60	100	10	36	31	2.5	0.2	162
GN.83250	GN 918.5-40-GVS-L-65	25	40	M6	9	20	65*	100	10	36	31	2.5	0.2	164
GN.83251	GN 918.5-40-GVS-L-70	25	40	M6	9	20	70	100	10	36	31	2.5	0.2	166
GN.83252	GN 918.5-40-GVS-L-80	25	40	M6	9	20	80	100	10	36	31	2.5	0.2	168
GN.83253	GN 918.5-40-GVS-L-90	25	40	M6	9	20	90	100	10	36	31	2.5	0.2	170
GN.83261	GN 918.5-40-GVS-R-10	25	40	M6	9	20	10*	100	10	36	31	2.5	0.2	154
GN.83262	GN 918.5-40-GVS-R-15	25	40	M6	9	20	15	100	10	36	31	2.5	0.2	154
GN.83263	GN 918.5-40-GVS-R-20	25	40	M6	9	20	20	100	10	36	31	2.5	0.2	156
GN.83264	GN 918.5-40-GVS-R-25	25	40	M6	9	20	25	100	10	36	31	2.5	0.2	156
GN.83265	GN 918.5-40-GVS-R-30	25	40	M6	9	20	30	100	10	36	31	2.5	0.2	158
GN.83266	GN 918.5-40-GVS-R-40	25	40	M6	9	20	40	100	10	36	31	2.5	0.2	159
GN.83267	GN 918.5-40-GVS-R-45	25	40	M6	9	20	45*	100	10	36	31	2.5	0.2	160
GN.83268	GN 918.5-40-GVS-R-50	25	40	M6	9	20	50	100	10	36	31	2.5	0.2	160
GN.83269	GN 918.5-40-GVS-R-60	25	40	M6	9	20	60	100	10	36	31	2.5	0.2	162
GN.83270	GN 918.5-40-GVS-R-65	25	40	M6	9	20	65*	100	10	36	31	2.5	0.2	164
GN.83271	GN 918.5-40-GVS-R-70	25	40	M6	9	20	70	100	10	36	31	2.5	0.2	166
GN.83272	GN 918.5-40-GVS-R-80	25	40	M6	9	20	80	100	10	36	31	2.5	0.2	168
GN.83273	GN 918.5-40-GVS-R-90	25	40	M6	9	20	90	100	10	36	31	2.5	0.2	170
GN.83471	GN 918.5-50-GVS-L-12	30	50	M8	11	24	12	116	12	41	36	2.5	0.2	282
GN.83472	GN 918.5-50-GVS-L-22	30	50	M8	11	24	22	116	12	41	36	2.5	0.2	286
GN.83473	GN 918.5-50-GVS-L-32	30	50	M8	11	24	32	116	12	41	36	2.5	0.2	290
GN.83474	GN 918.5-50-GVS-L-42	30	50	M8	11	24	42	116	12	41	36	2.5	0.2	293
GN.83475	GN 918.5-50-GVS-L-52	30	50	M8	11	24	52	116	12	41	36	2.5	0.2	298
GN.83476	GN 918.5-50-GVS-L-62	30	50	M8	11	24	62	116	12	41	36	2.5	0.2	300
GN.83477	GN 918.5-50-GVS-L-72	30	50	M8	11	24	72	116	12	41	36	2.5	0.2	305
GN.83478	GN 918.5-50-GVS-L-82	30	50	M8	11	24	82	116	12	41	36	2.5	0.2	309
GN.83479	GN 918.5-50-GVS-L-92	30	50	M8	11	24	92	116	12	41	36	2.5	0.2	310
GN.83480	GN 918.5-50-GVS-L-102	30	50	M8	11	24	102	116	12	41	36	2.5	0.2	309
GN.83481	GN 918.5-50-GVS-L-112	30	50	M8	11	24	112	116	12	41	36	2.5	0.2	318
GN.83486	GN 918.5-50-GVS-R-12	30	50	M8	11	24	12	116	12	41	36	2.5	0.2	282
GN.83487	GN 918.5-50-GVS-R-22	30	50	M8	11	24	22	116	12	41	36	2.5	0.2	286
GN.83488	GN 918.5-50-GVS-R-32	30	50	M8	11	24	32	116	12	41	36	2.5	0.2	290
GN.83489	GN 918.5-50-GVS-R-42	30	50	M8	11	24	42	116	12	41	36	2.5	0.2	293
GN.83490	GN 918.5-50-GVS-R-52	30	50	M8	11	24	52	116	12	41	36	2.5	0.2	298
GN.83491	GN 918.5-50-GVS-R-62	30	50	M8	11	24	62	116	12	41	36	2.5	0.2	301
GN.83492	GN 918.5-50-GVS-R-72	30	50	M8	11	24	72	116	12	41	36	2.5	0.2	305
GN.83493	GN 918.5-50-GVS-R-82	30	50	M8	11	24	82	116	12	41	36	2.5	0.2	309
GN.83494	GN 918.5-50-GVS-R-92	30	50	M8	11	24	92	116	12	41	36	2.5	0.2	311
GN.83495	GN 918.5-50-GVS-R-102	30	50	M8	11	24	102	116	12	41	36	2.5	0.2	312
GN.83496	GN 918.5-50-GVS-R-112	30	50	M8	11	24	112	116	12	41	36	2.5	0.2	318



Standard machine parts

- 1
- 2
- 3
- 4
- 5
- 6
- 7
- 8
- 9
- 10
- 11
- 12
- 13
- 14
- 15
- 16
- 17
- 18
- 19



**Conversion Table**  
1 mm = 0.039 inch

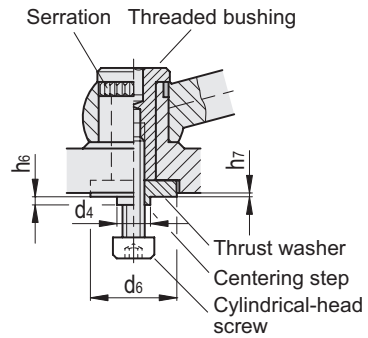
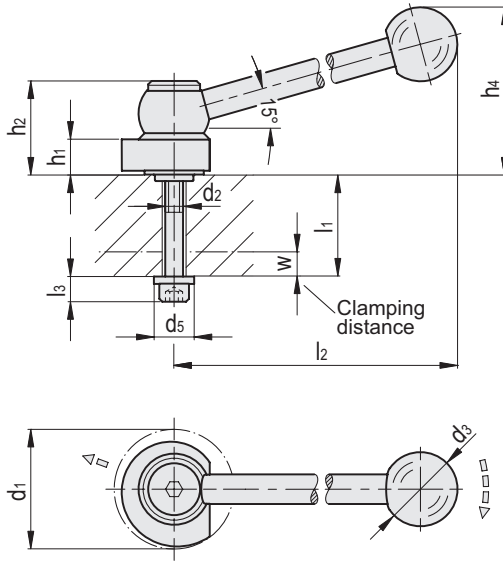
d3 - d1	
mm	inch
25	0.98
30	1.17
40	1.56
50	1.95

GN 918.5-SKS

INOX STAINLESS STEEL METRIC

Code	Description	d1 -0.5	d2	d4 h9	d6	l1	h1	h3	h6 -0.1	h7	sw	⚖
GN.83391	GN 918.5-40-SKS-L-15	40	M6	9	20	15	10	26	2.5	0.2	15	72
GN.83392	GN 918.5-40-SKS-L-20	40	M6	9	20	20	10	26	2.5	0.2	15	73
GN.83393	GN 918.5-40-SKS-L-25	40	M6	9	20	25	10	26	2.5	0.2	15	74
GN.83394	GN 918.5-40-SKS-L-30	40	M6	9	20	30	10	26	2.5	0.2	15	75
GN.83395	GN 918.5-40-SKS-L-35	40	M6	9	20	35**	10	26	2.5	0.2	15	76
GN.83396	GN 918.5-40-SKS-L-40	40	M6	9	20	40	10	26	2.5	0.2	15	78
GN.83397	GN 918.5-40-SKS-L-50	40	M6	9	20	50	10	26	2.5	0.2	15	78
GN.83398	GN 918.5-40-SKS-L-55	40	M6	9	20	55**	10	26	2.5	0.2	15	79
GN.83399	GN 918.5-40-SKS-L-60	40	M6	9	20	60	10	26	2.5	0.2	15	81
GN.83400	GN 918.5-40-SKS-L-70	40	M6	9	20	70	10	26	2.5	0.2	15	83
GN.83401	GN 918.5-40-SKS-L-75	40	M6	9	20	75**	10	26	2.5	0.2	15	85
GN.83402	GN 918.5-40-SKS-L-80	40	M6	9	20	80	10	26	2.5	0.2	15	87
GN.83403	GN 918.5-40-SKS-L-90	40	M6	9	20	90	10	26	2.5	0.2	15	89
GN.83411	GN 918.5-40-SKS-R-15	40	M6	9	20	15	10	26	2.5	0.2	15	72
GN.83412	GN 918.5-40-SKS-R-20	40	M6	9	20	20	10	26	2.5	0.2	15	73
GN.83413	GN 918.5-40-SKS-R-25	40	M6	9	20	25	10	26	2.5	0.2	15	74
GN.83414	GN 918.5-40-SKS-R-30	40	M6	9	20	30	10	26	2.5	0.2	15	75
GN.83415	GN 918.5-40-SKS-R-35	40	M6	9	20	35**	10	26	2.5	0.2	15	76
GN.83416	GN 918.5-40-SKS-R-40	40	M6	9	20	40	10	26	2.5	0.2	15	78
GN.83417	GN 918.5-40-SKS-R-50	40	M6	9	20	50	10	26	2.5	0.2	15	78
GN.83418	GN 918.5-40-SKS-R-55	40	M6	9	20	55**	10	26	2.5	0.2	15	79
GN.83419	GN 918.5-40-SKS-R-60	40	M6	9	20	60	10	26	2.5	0.2	15	81
GN.83420	GN 918.5-40-SKS-R-70	40	M6	9	20	70	10	26	2.5	0.2	15	83
GN.83421	GN 918.5-40-SKS-R-75	40	M6	9	20	75**	10	26	2.5	0.2	15	85
GN.83422	GN 918.5-40-SKS-R-80	40	M6	9	20	80	10	26	2.5	0.2	15	87
GN.83423	GN 918.5-40-SKS-R-90	40	M6	9	20	90	10	26	2.5	0.2	15	89
GN.83601	GN 918.5-50-SKS-L-12	50	M8	11	24	12	12	31	2.5	0.2	19	141
GN.83602	GN 918.5-50-SKS-L-22	50	M8	11	24	22	12	31	2.5	0.2	19	145
GN.83603	GN 918.5-50-SKS-L-32	50	M8	11	24	32	12	31	2.5	0.2	19	149
GN.83604	GN 918.5-50-SKS-L-42	50	M8	11	24	42	12	31	2.5	0.2	19	152
GN.83605	GN 918.5-50-SKS-L-52	50	M8	11	24	52	12	31	2.5	0.2	19	157
GN.83606	GN 918.5-50-SKS-L-62	50	M8	11	24	62	12	31	2.5	0.2	19	160
GN.83607	GN 918.5-50-SKS-L-72	50	M8	11	24	72	12	31	2.5	0.2	19	164
GN.83608	GN 918.5-50-SKS-L-82	50	M8	11	24	82	12	31	2.5	0.2	19	168
GN.83609	GN 918.5-50-SKS-L-92	50	M8	11	24	92	12	31	2.5	0.2	19	170
GN.83610	GN 918.5-50-SKS-L-102	50	M8	11	24	102	12	31	2.5	0.2	19	168
GN.83611	GN 918.5-50-SKS-L-112	50	M8	11	24	112	12	31	2.5	0.2	19	177
GN.83616	GN 918.5-50-SKS-R-12	50	M8	11	24	12	12	31	2.5	0.2	19	12
GN.83617	GN 918.5-50-SKS-R-22	50	M8	11	24	22	12	31	2.5	0.2	19	22
GN.83618	GN 918.5-50-SKS-R-32	50	M8	11	24	32	12	31	2.5	0.2	19	32
GN.83619	GN 918.5-50-SKS-R-42	50	M8	11	24	42	12	31	2.5	0.2	19	42
GN.83620	GN 918.5-50-SKS-R-52	50	M8	11	24	52	12	31	2.5	0.2	19	52
GN.83621	GN 918.5-50-SKS-R-62	50	M8	11	24	62	12	31	2.5	0.2	19	62
GN.83622	GN 918.5-50-SKS-R-72	50	M8	11	24	72	12	31	2.5	0.2	19	72
GN.83623	GN 918.5-50-SKS-R-82	50	M8	11	24	82	12	31	2.5	0.2	19	82
GN.83624	GN 918.5-50-SKS-R-92	50	M8	11	24	92	12	31	2.5	0.2	19	92
GN.83625	GN 918.5-50-SKS-R-102	50	M8	11	24	102	12	31	2.5	0.2	19	102
GN.83626	GN 918.5-50-SKS-R-112	50	M8	11	24	112	12	31	2.5	0.2	19	112

Standard machine parts

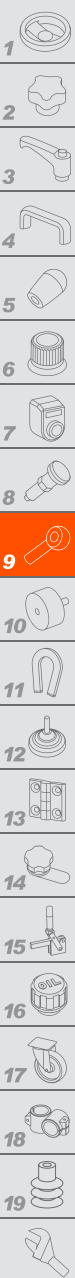


Conversion Table 1 mm = 0.039 inch	
d3 - d1	
mm	inch
25	0.98
30	1.17
40	1.56
50	1.95

GN 918.5-KVB

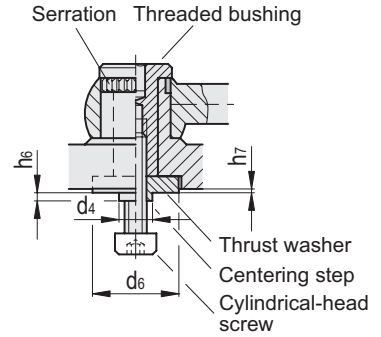
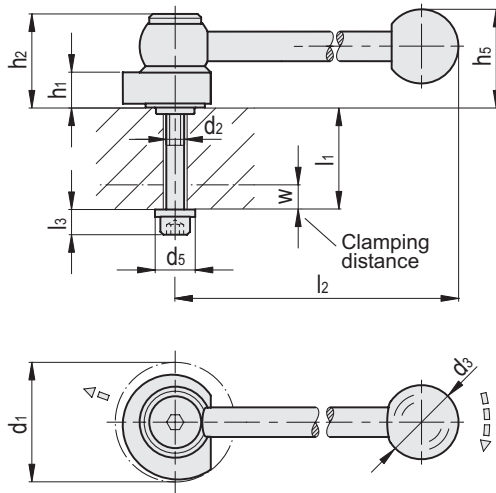
INOX STAINLESS STEEL METRIC

Code	Description	d3	d1 -0.5	d2	d4	h9	d5	d6	l1 max	l2	l3	h1	h2	h4	h5	h6 -0.1	h7	wmax	⚖
GN.83281	GN 918.5-40-KVB-L-12	25	40	M6	9	12	20	12	100	8.5	10	30.5	55	31	2.5	0.2	5	152	
GN.83282	GN 918.5-40-KVB-L-22	25	40	M6	9	12	20	22	100	8.5	10	30.5	55	31	2.5	0.2	5	155	
GN.83283	GN 918.5-40-KVB-L-27	25	40	M6	9	12	20	27	100	8.5	10	30.5	55	31	2.5	0.2	5	156	
GN.83284	GN 918.5-40-KVB-L-32	25	40	M6	9	12	20	32	100	8.5	10	30.5	55	31	2.5	0.2	5	157	
GN.83285	GN 918.5-40-KVB-L-37	25	40	M6	9	12	20	37	100	8.5	10	30.5	55	31	2.5	0.2	5	158	
GN.83286	GN 918.5-40-KVB-L-42	25	40	M6	9	12	20	42	100	8.5	10	30.5	55	31	2.5	0.2	5	159	
GN.83287	GN 918.5-40-KVB-L-47	25	40	M6	9	12	20	47	100	8.5	10	30.5	55	31	2.5	0.2	5	160	
GN.83288	GN 918.5-40-KVB-L-57	25	40	M6	9	12	20	57	100	8.5	10	30.5	55	31	2.5	0.2	5	161	
GN.83289	GN 918.5-40-KVB-L-62	25	40	M6	9	12	20	62	100	8.5	10	30.5	55	31	2.5	0.2	5	162	
GN.83290	GN 918.5-40-KVB-L-67	25	40	M6	9	12	20	67	100	8.5	10	30.5	55	31	2.5	0.2	5	162	
GN.83291	GN 918.5-40-KVB-L-77	25	40	M6	9	12	20	77	100	8.5	10	30.5	55	31	2.5	0.2	5	164	
GN.83292	GN 918.5-40-KVB-L-82	25	40	M6	9	12	20	82	100	8.5	10	30.5	55	31	2.5	0.2	5	166	
GN.83298	GN 918.5-40-KVB-R-12	25	40	M6	9	12	20	12	100	8.5	10	30.5	55	31	2.5	0.2	5	152	
GN.83299	GN 918.5-40-KVB-R-22	25	40	M6	9	12	20	22	100	8.5	10	30.5	55	31	2.5	0.2	5	154	
GN.83300	GN 918.5-40-KVB-R-27	25	40	M6	9	12	20	27	100	8.5	10	30.5	55	31	2.5	0.2	5	156	
GN.83301	GN 918.5-40-KVB-R-32	25	40	M6	9	12	20	32	100	8.5	10	30.5	55	31	2.5	0.2	5	156	
GN.83302	GN 918.5-40-KVB-R-37	25	40	M6	9	12	20	37	100	8.5	10	30.5	55	31	2.5	0.2	5	158	
GN.83303	GN 918.5-40-KVB-R-42	25	40	M6	9	12	20	42	100	8.5	10	30.5	55	31	2.5	0.2	5	158	
GN.83304	GN 918.5-40-KVB-R-47	25	40	M6	9	12	20	47	100	8.5	10	30.5	55	31	2.5	0.2	5	160	
GN.83305	GN 918.5-40-KVB-R-57	25	40	M6	9	12	20	57	100	8.5	10	30.5	55	31	2.5	0.2	5	161	
GN.83306	GN 918.5-40-KVB-R-62	25	40	M6	9	12	20	62	100	8.5	10	30.5	55	31	2.5	0.2	5	162	
GN.83307	GN 918.5-40-KVB-R-67	25	40	M6	9	12	20	67	100	8.5	10	30.5	55	31	2.5	0.2	5	162	
GN.83308	GN 918.5-40-KVB-R-77	25	40	M6	9	12	20	77	100	8.5	10	30.5	55	31	2.5	0.2	5	164	
GN.83309	GN 918.5-40-KVB-R-82	25	40	M6	9	12	20	82	100	8.5	10	30.5	55	31	2.5	0.2	5	166	
GN.83501	GN 918.5-50-KVB-L-10	30	50	M8	11	16	24	10	116	10.5	12	34.5	62	36	2.5	0.2	5	260	
GN.83502	GN 918.5-50-KVB-L-20	30	50	M8	11	16	24	20	116	10.5	12	34.5	62	36	2.5	0.2	5	263	
GN.83503	GN 918.5-50-KVB-L-30	30	50	M8	11	16	24	30	116	10.5	12	34.5	62	36	2.5	0.2	5	266	
GN.83504	GN 918.5-50-KVB-L-40	30	50	M8	11	16	24	40	116	10.5	12	34.5	62	36	2.5	0.2	5	270	
GN.83505	GN 918.5-50-KVB-L-50	30	50	M8	11	16	24	50	116	10.5	12	34.5	62	36	2.5	0.2	5	274	
GN.83506	GN 918.5-50-KVB-L-60	30	50	M8	11	16	24	60	116	10.5	12	34.5	62	36	2.5	0.2	5	277	
GN.83507	GN 918.5-50-KVB-L-70	30	50	M8	11	16	24	70	116	10.5	12	34.5	62	36	2.5	0.2	5	282	
GN.83508	GN 918.5-50-KVB-L-80	30	50	M8	11	16	24	80	116	10.5	12	34.5	62	36	2.5	0.2	5	285	
GN.83509	GN 918.5-50-KVB-L-90	30	50	M8	11	16	24	90	116	10.5	12	34.5	62	36	2.5	0.2	5	289	
GN.83510	GN 918.5-50-KVB-L-100	30	50	M8	11	16	24	100	116	10.5	12	34.5	62	36	2.5	0.2	5	293	
GN.83515	GN 918.5-50-KVB-R-10	30	50	M8	11	16	24	10	116	10.5	12	34.5	62	36	2.5	0.2	5	260	
GN.83516	GN 918.5-50-KVB-R-20	30	50	M8	11	16	24	20	116	10.5	12	34.5	62	36	2.5	0.2	5	262	
GN.83517	GN 918.5-50-KVB-R-30	30	50	M8	11	16	24	30	116	10.5	12	34.5	62	36	2.5	0.2	5	266	
GN.83518	GN 918.5-50-KVB-R-40	30	50	M8	11	16	24	40	116	10.5	12	34.5	62	36	2.5	0.2	5	270	
GN.83519	GN 918.5-50-KVB-R-50	30	50	M8	11	16	24	50	116	10.5	12	34.5	62	36	2.5	0.2	5	274	
GN.83520	GN 918.5-50-KVB-R-60	30	50	M8	11	16	24	60	116	10.5	12	34.5	62	36	2.5	0.2	5	277	
GN.83521	GN 918.5-50-KVB-R-70	30	50	M8	11	16	24	70	116	10.5	12	34.5	62	36	2.5	0.2	5	282	
GN.83522	GN 918.5-50-KVB-R-80	30	50	M8	11	16	24	80	116	10.5	12	34.5	62	36	2.5	0.2	5	285	
GN.83523	GN 918.5-50-KVB-R-90	30	50	M8	11	16	24	90	116	10.5	12	34.5	62	36	2.5	0.2	5	289	
GN.83524	GN 918.5-50-KVB-R-100	30	50	M8	11	16	24	100	116	10.5	12	34.5	62	36	2.5	0.2	5	293	



Standard machine parts

- 1
- 2
- 3
- 4
- 5
- 6
- 7
- 8
- 9
- 10
- 11
- 12
- 13
- 14
- 15
- 16
- 17
- 18
- 19



**Conversion Table**  
1 mm = 0,039 inch

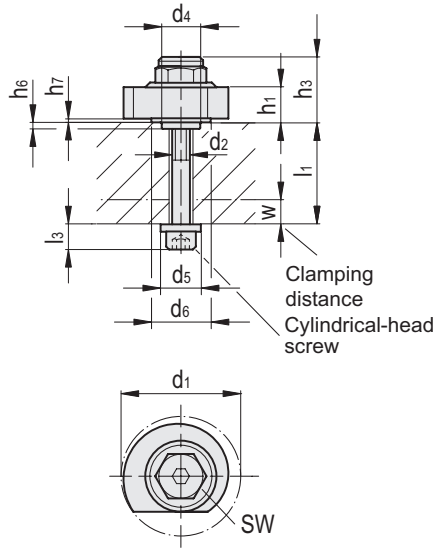
d3 - d1	mm	inch
	25	0.98
	30	1.17
	40	1.56
	50	1.95

GN 918.5-GVB

INOX STAINLESS STEEL METRIC

Code	Description	d3	d1-0.5	d2	d4	h9	d5	d6	l1 max	l2	l3	h1	h2	h5	h6-0.1	h7	wmax	△
GN.83206	GN 918.5-40-GVB-L-12	25	40	M6	9	12	20	12	100	8.5	10	30.5	31	2.5	0.2	5	150	
GN.83207	GN 918.5-40-GVB-L-22	25	40	M6	9	12	20	22	100	8.5	10	30.5	31	2.5	0.2	5	152	
GN.83208	GN 918.5-40-GVB-L-27	25	40	M6	9	12	20	27	100	8.5	10	30.5	31	2.5	0.2	5	154	
GN.83209	GN 918.5-40-GVB-L-32	25	40	M6	9	12	20	32	100	8.5	10	30.5	31	2.5	0.2	5	155	
GN.83210	GN 918.5-40-GVB-L-37	25	40	M6	9	12	20	37	100	8.5	10	30.5	31	2.5	0.2	5	156	
GN.83211	GN 918.5-40-GVB-L-42	25	40	M6	9	12	20	42	100	8.5	10	30.5	31	2.5	0.2	5	156	
GN.83212	GN 918.5-40-GVB-L-47	25	40	M6	9	12	20	47	100	8.5	10	30.5	31	2.5	0.2	5	158	
GN.83213	GN 918.5-40-GVB-L-57	25	40	M6	9	12	20	57	100	8.5	10	30.5	31	2.5	0.2	5	159	
GN.83214	GN 918.5-40-GVB-L-62	25	40	M6	9	12	20	62	100	8.5	10	30.5	31	2.5	0.2	5	160	
GN.83215	GN 918.5-40-GVB-L-67	25	40	M6	9	12	20	67	100	8.5	10	30.5	31	2.5	0.2	5	160	
GN.83216	GN 918.5-40-GVB-L-77	25	40	M6	9	12	20	77	100	8.5	10	30.5	31	2.5	0.2	5	162	
GN.83217	GN 918.5-40-GVB-L-82	25	40	M6	9	12	20	82	100	8.5	10	30.5	31	2.5	0.2	5	164	
GN.83226	GN 918.5-40-GVB-R-12	25	40	M6	9	12	20	12	100	8.5	10	30.5	31	2.5	0.2	5	150	
GN.83227	GN 918.5-40-GVB-R-22	25	40	M6	9	12	20	22	100	8.5	10	30.5	31	2.5	0.2	5	152	
GN.83228	GN 918.5-40-GVB-R-27	25	40	M6	9	12	20	27	100	8.5	10	30.5	31	2.5	0.2	5	154	
GN.83229	GN 918.5-40-GVB-R-32	25	40	M6	9	12	20	32	100	8.5	10	30.5	31	2.5	0.2	5	154	
GN.83230	GN 918.5-40-GVB-R-37	25	40	M6	9	12	20	37	100	8.5	10	30.5	31	2.5	0.2	5	156	
GN.83231	GN 918.5-40-GVB-R-42	25	40	M6	9	12	20	42	100	8.5	10	30.5	31	2.5	0.2	5	156	
GN.83232	GN 918.5-40-GVB-R-47	25	40	M6	9	12	20	47	100	8.5	10	30.5	31	2.5	0.2	5	158	
GN.83233	GN 918.5-40-GVB-R-57	25	40	M6	9	12	20	57	100	8.5	10	30.5	31	2.5	0.2	5	159	
GN.83234	GN 918.5-40-GVB-R-62	25	40	M6	9	12	20	62	100	8.5	10	30.5	31	2.5	0.2	5	160	
GN.83235	GN 918.5-40-GVB-R-67	25	40	M6	9	12	20	67	100	8.5	10	30.5	31	2.5	0.2	5	160	
GN.83236	GN 918.5-40-GVB-R-77	25	40	M6	9	12	20	77	100	8.5	10	30.5	31	2.5	0.2	5	162	
GN.83237	GN 918.5-40-GVB-R-82	25	40	M6	9	12	20	82	100	8.5	10	30.5	31	2.5	0.2	5	164	
GN.83435	GN 918.5-50-GVB-L-10	30	50	M8	11	16	24	10	116	10.5	12	34.5	36	2.5	0.2	5	276	
GN.83436	GN 918.5-50-GVB-L-20	30	50	M8	11	16	24	20	116	10.5	12	34.5	36	2.5	0.2	5	278	
GN.83437	GN 918.5-50-GVB-L-30	30	50	M8	11	16	24	30	116	10.5	12	34.5	36	2.5	0.2	5	282	
GN.83438	GN 918.5-50-GVB-L-40	30	50	M8	11	16	24	40	116	10.5	12	34.5	36	2.5	0.2	5	286	
GN.83439	GN 918.5-50-GVB-L-50	30	50	M8	11	16	24	50	116	10.5	12	34.5	36	2.5	0.2	5	289	
GN.83440	GN 918.5-50-GVB-L-60	30	50	M8	11	16	24	60	116	10.5	12	34.5	36	2.5	0.2	5	292	
GN.83441	GN 918.5-50-GVB-L-70	30	50	M8	11	16	24	70	116	10.5	12	34.5	36	2.5	0.2	5	297	
GN.83442	GN 918.5-50-GVB-L-80	30	50	M8	11	16	24	80	116	10.5	12	34.5	36	2.5	0.2	5	300	
GN.83444	GN 918.5-50-GVB-L-100	30	50	M8	11	16	24	100	116	10.5	12	34.5	36	2.5	0.2	5	309	
GN.83455	GN 918.5-50-GVB-R-10	30	50	M8	11	16	24	10	116	10.5	12	34.5	36	2.5	0.2	5	276	
GN.83456	GN 918.5-50-GVB-R-20	30	50	M8	11	16	24	20	116	10.5	12	34.5	36	2.5	0.2	5	278	
GN.83457	GN 918.5-50-GVB-R-30	30	50	M8	11	16	24	30	116	10.5	12	34.5	36	2.5	0.2	5	282	
GN.83458	GN 918.5-50-GVB-R-40	30	50	M8	11	16	24	40	116	10.5	12	34.5	36	2.5	0.2	5	286	
GN.83459	GN 918.5-50-GVB-R-50	30	50	M8	11	16	24	50	116	10.5	12	34.5	36	2.5	0.2	5	290	
GN.83460	GN 918.5-50-GVB-R-60	30	50	M8	11	16	24	60	116	10.5	12	34.5	36	2.5	0.2	5	293	
GN.83461	GN 918.5-50-GVB-R-70	30	50	M8	11	16	24	70	116	10.5	12	34.5	36	2.5	0.2	5	298	
GN.83462	GN 918.5-50-GVB-R-80	30	50	M8	11	16	24	80	116	10.5	12	34.5	36	2.5	0.2	5	301	
GN.83463	GN 918.5-50-GVB-R-90	30	50	M8	11	16	24	90	116	10.5	12	34.5	36	2.5	0.2	5	305	
GN.83464	GN 918.5-50-GVB-R-100	30	50	M8	11	16	24	100	116	10.5	12	34.5	36	2.5	0.2	5	309	

Standard machine parts



Conversion Table	
1 mm = 0.039 inch	
d3 - d1	
mm	inch
25	0.98
30	1.17
40	1.56
50	1.95

GN 918.5-SKB

INOX STAINLESS STEEL METRIC

Code	Description	d1 -0.5	d2	d4 h9	d5	d6	l1 max	l3	h1	h3	h6 -0.1	h7	wmax	sw	⚖
GN.83356	GN 918.5-40-SKB-L-12	40	M6	9	12	20	12	8.5	10	21	2.5	0.2	5	15	69
GN.83357	GN 918.5-40-SKB-L-22	40	M6	9	12	20	22	8.5	10	21	2.5	0.2	5	15	71
GN.83358	GN 918.5-40-SKB-L-27	40	M6	9	12	20	27	8.5	10	21	2.5	0.2	5	15	72
GN.83359	GN 918.5-40-SKB-L-32	40	M6	9	12	20	32	8.5	10	21	2.5	0.2	5	15	73
GN.83360	GN 918.5-40-SKB-L-37	40	M6	9	12	20	37	8.5	10	21	2.5	0.2	5	15	74
GN.83361	GN 918.5-40-SKB-L-42	40	M6	9	12	20	42	8.5	10	21	2.5	0.2	5	15	75
GN.83362	GN 918.5-40-SKB-L-47	40	M6	9	12	20	47	8.5	10	21	2.5	0.2	5	15	76
GN.83363	GN 918.5-40-SKB-L-57	40	M6	9	12	20	57	8.5	10	21	2.5	0.2	5	15	78
GN.83364	GN 918.5-40-SKB-L-62	40	M6	9	12	20	62	8.5	10	21	2.5	0.2	5	15	78
GN.83365	GN 918.5-40-SKB-L-67	40	M6	9	12	20	67	8.5	10	21	2.5	0.2	5	15	79
GN.83366	GN 918.5-40-SKB-L-77	40	M6	9	12	20	77	8.5	10	21	2.5	0.2	5	15	81
GN.83367	GN 918.5-40-SKB-L-82	40	M6	9	12	20	82	8.5	10	21	2.5	0.2	5	15	83
GN.83376	GN 918.5-40-SKB-R-12	40	M6	9	12	20	12	8.5	10	21	2.5	0.2	5	15	69
GN.83377	GN 918.5-40-SKB-R-22	40	M6	9	12	20	22	8.5	10	21	2.5	0.2	5	15	71
GN.83378	GN 918.5-40-SKB-R-27	40	M6	9	12	20	27	8.5	10	21	2.5	0.2	5	15	72
GN.83379	GN 918.5-40-SKB-R-32	40	M6	9	12	20	32	8.5	10	21	2.5	0.2	5	15	73
GN.83380	GN 918.5-40-SKB-R-37	40	M6	9	12	20	37	8.5	10	21	2.5	0.2	5	15	74
GN.83381	GN 918.5-40-SKB-R-42	40	M6	9	12	20	42	8.5	10	21	2.5	0.2	5	15	75
GN.83382	GN 918.5-40-SKB-R-47	40	M6	9	12	20	47	8.5	10	21	2.5	0.2	5	15	76
GN.83383	GN 918.5-40-SKB-R-57	40	M6	9	12	20	57	8.5	10	21	2.5	0.2	5	15	78
GN.83384	GN 918.5-40-SKB-R-62	40	M6	9	12	20	62	8.5	10	21	2.5	0.2	5	15	78
GN.83385	GN 918.5-40-SKB-R-67	40	M6	9	12	20	67	8.5	10	21	2.5	0.2	5	15	79
GN.83386	GN 918.5-40-SKB-R-77	40	M6	9	12	20	77	8.5	10	21	2.5	0.2	5	15	81
GN.83387	GN 918.5-40-SKB-R-82	40	M6	9	12	20	82	8.5	10	21	2.5	0.2	5	15	83
GN.83566	GN 918.5-50-SKB-L-10	50	M8	11	16	24	10	10.5	12	24	2.5	0.2	5	19	135
GN.83567	GN 918.5-50-SKB-L-20	50	M8	11	16	24	20	10.5	12	24	2.5	0.2	5	19	138
GN.83568	GN 918.5-50-SKB-L-30	50	M8	11	16	24	30	10.5	12	24	2.5	0.2	5	19	141
GN.83569	GN 918.5-50-SKB-L-40	50	M8	11	16	24	40	10.5	12	24	2.5	0.2	5	19	145
GN.83570	GN 918.5-50-SKB-L-50	50	M8	11	16	24	50	10.5	12	24	2.5	0.2	5	19	149
GN.83571	GN 918.5-50-SKB-L-60	50	M8	11	16	24	60	10.5	12	24	2.5	0.2	5	19	152
GN.83572	GN 918.5-50-SKB-L-70	50	M8	11	16	24	70	10.5	12	24	2.5	0.2	5	19	157
GN.83573	GN 918.5-50-SKB-L-80	50	M8	11	16	24	80	10.5	12	24	2.5	0.2	5	19	160
GN.83574	GN 918.5-50-SKB-L-90	50	M8	11	16	24	90	10.5	12	24	2.5	0.2	5	19	164
GN.83576	GN 918.5-50-SKB-L-100	50	M8	11	16	24	100	10.5	12	24	2.5	0.2	5	19	168
GN.83575	GN 918.5-50-SKB-R-10	50	M8	11	16	24	10	10.5	12	24	2.5	0.2	5	19	135
GN.83586	GN 918.5-50-SKB-R-20	50	M8	11	16	24	20	10.5	12	24	2.5	0.2	5	19	138
GN.83587	GN 918.5-50-SKB-R-30	50	M8	11	16	24	30	10.5	12	24	2.5	0.2	5	19	141
GN.83588	GN 918.5-50-SKB-R-40	50	M8	11	16	24	40	10.5	12	24	2.5	0.2	5	19	145
GN.83589	GN 918.5-50-SKB-R-50	50	M8	11	16	24	50	10.5	12	24	2.5	0.2	5	19	149
GN.83590	GN 918.5-50-SKB-R-60	50	M8	11	16	24	60	10.5	12	24	2.5	0.2	5	19	152
GN.83591	GN 918.5-50-SKB-R-70	50	M8	11	16	24	70	10.5	12	24	2.5	0.2	5	19	157
GN.83592	GN 918.5-50-SKB-R-80	50	M8	11	16	24	80	10.5	12	24	2.5	0.2	5	19	160
GN.83593	GN 918.5-50-SKB-R-90	50	M8	11	16	24	90	10.5	12	24	2.5	0.2	5	19	164
GN.83594	GN 918.5-50-SKB-R-100	50	M8	11	16	24	100	10.5	12	24	2.5	0.2	5	19	168



Standard machine parts